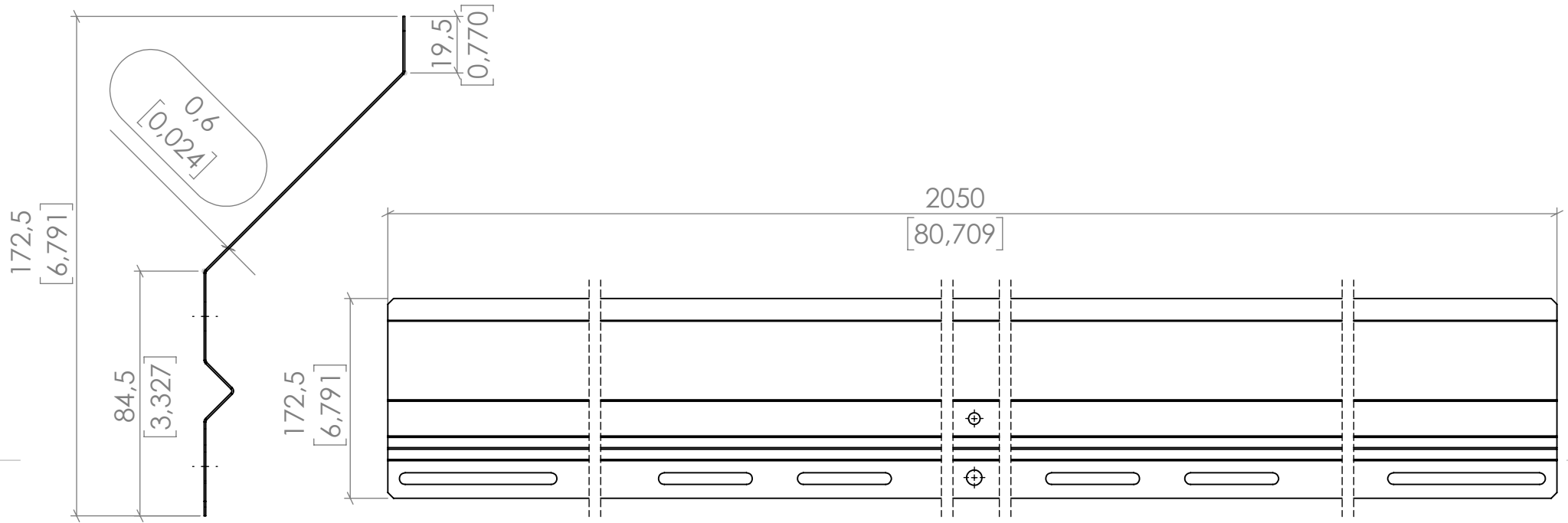


We reserve all rights for this drawing also in case of patent or registration of design. This drawing may neither be copied nor opened to a third party without our written agreement. It may also not be used improperly by the recipient or a third party in other ways. Contraventions oblige to compensation and can be prosecuted.



We reserve the right to make technical changes by further development without the necessity of changing this publication

Execution Class:		(allowable tolerances)	(Surface)	Scale:	M:1:5	Weight:	1,98 kg
EN 1090 EXC3		-	AZ 185	(Material, Pre-Product) DX51D + AZ 185			
				(unmachined Part) Rp0,2: min. - MPa ; Rm: min. 270 - 500 MPa			
				(Model - or Die - Nr)			
H				Label:			
G			drawn	NA	20.02.2020	wind deflector 10° 2050 mm	
F			proved	NA	20.02.2020		
E			released	NA	20.02.2020		
D			AEROCOMPACT			Drawing Nr.: 706101-2050 A	
C							
B			office@aerocompact.com		A4		
A	current status	20.02.20	NA	(Replacement:)			
Modification		Date	Name	(Origin:)			

