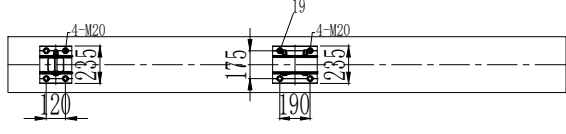
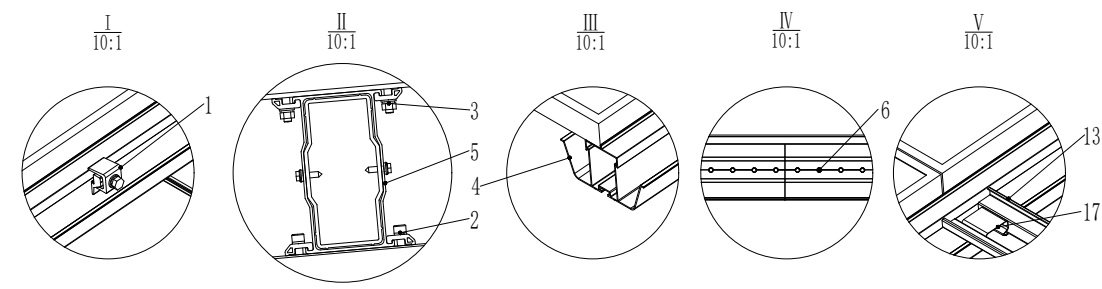
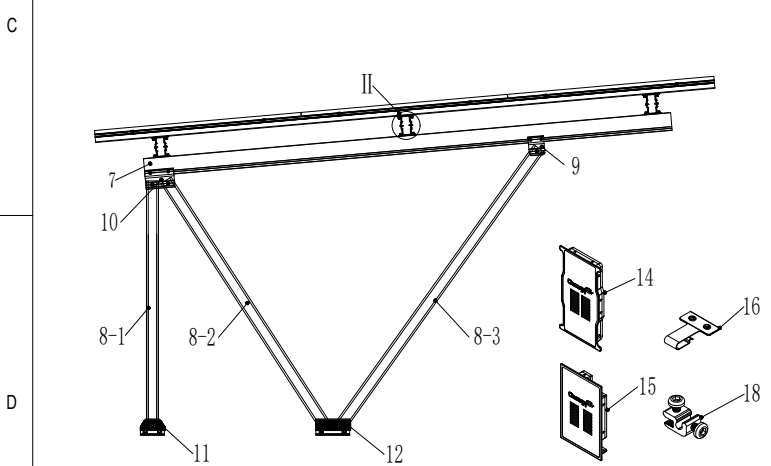
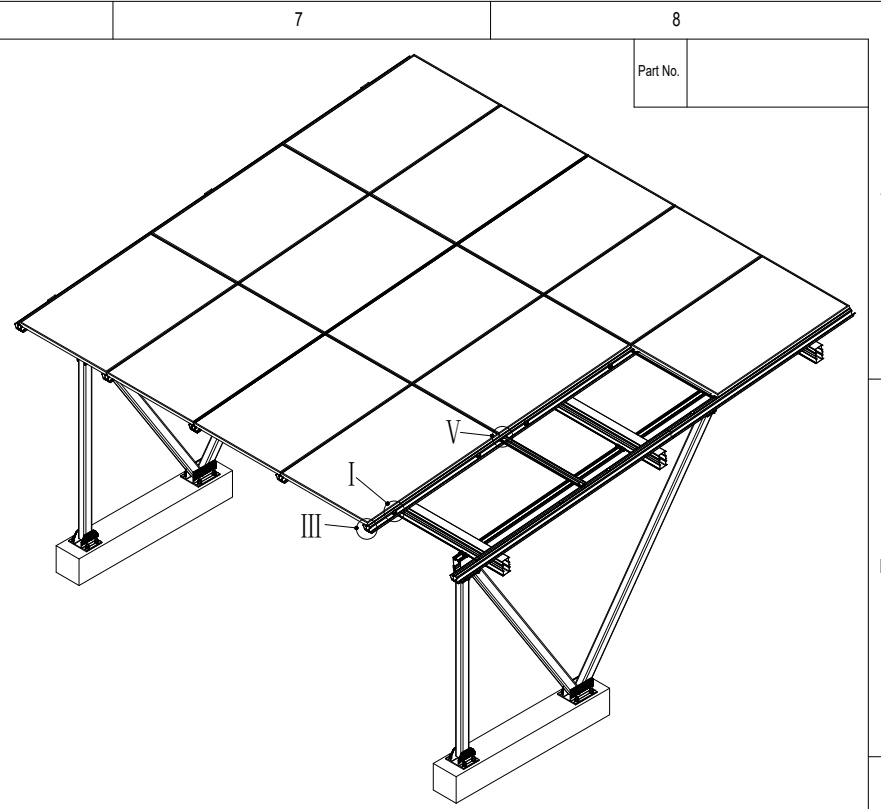
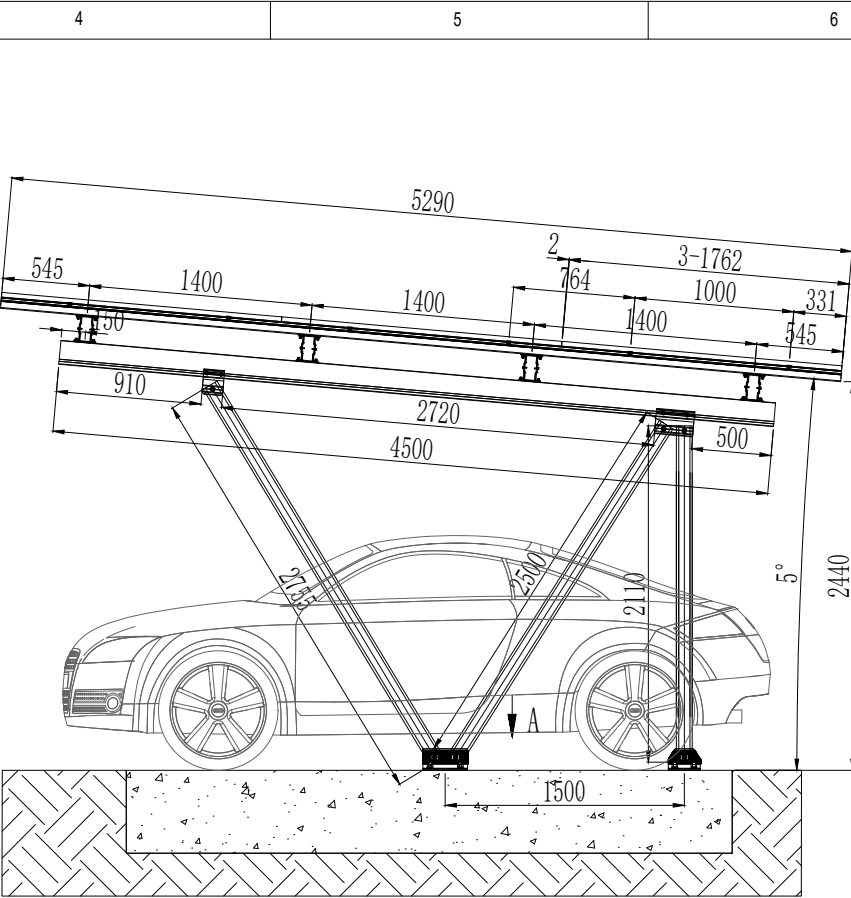
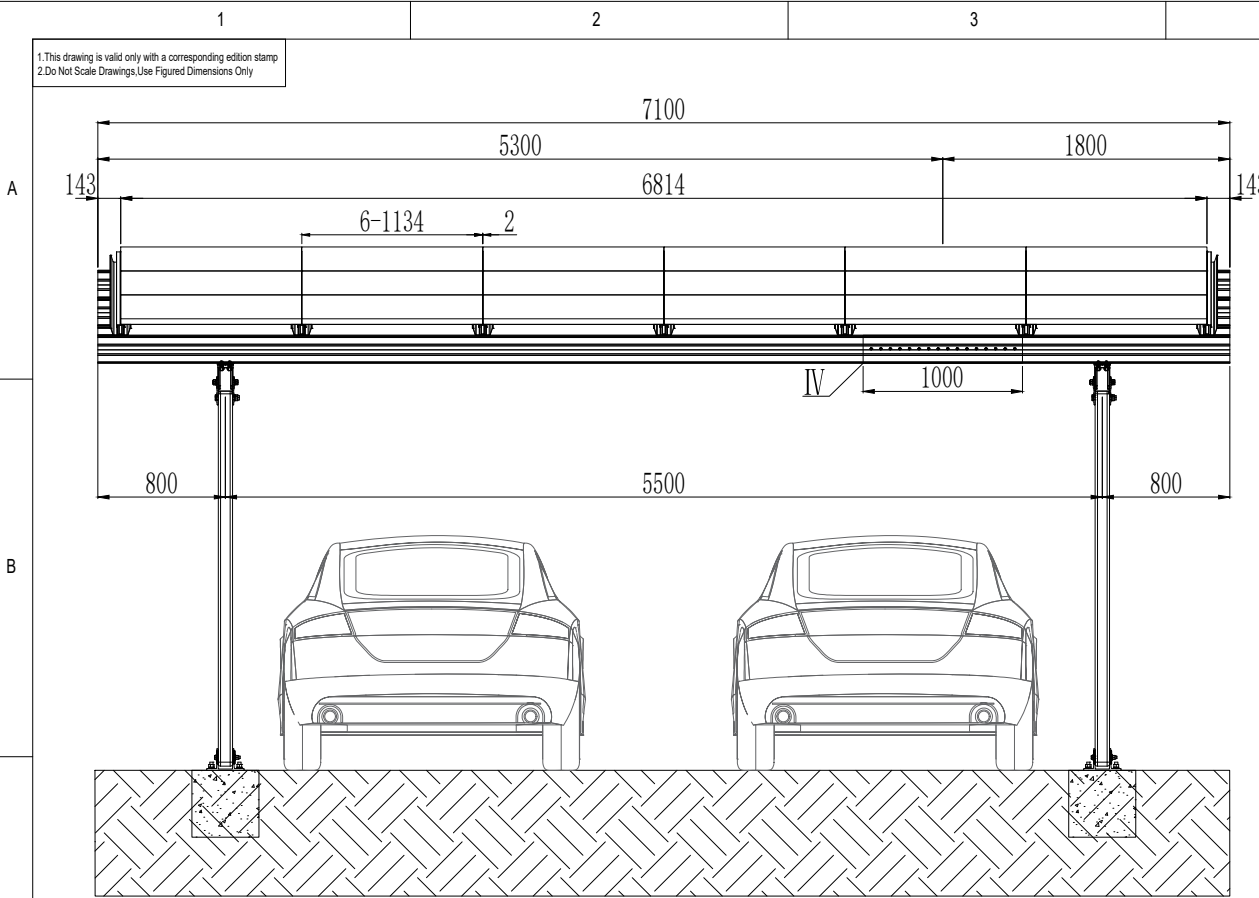


1.This drawing is valid only with a corresponding edition stamp
2.Do Not Scale Drawings,Use Figured Dimensions Only

Part No.



A: Location planning of anchor-plate 1:1

19	HB-ST20/500	Hexagonal Bolt M20*500,with nut and washer	L300	GR8.8	16			
18	EZ-GL-U	PV-ezRack Rialto Grounding Lug	L17	AL/6005-T5	7			
17	SH-40/36/20.4/0.5	PV-ezRack ezShade II, Shim for PV Module 40*36*22*0.5	L40*36*22*0.5	SUS304 1/2H	24			
16	GC-LSR	PV-ezRack Grounding Clip for LS-Rail		SUS304 1/2H	36			
15	CAP-G/SDII/150	PV-ezRack ezShade II, Cap for Girder 150	96*151*17	PA6+GF20%+UV0.5%	4			
14	CAP-R/SDII/168	PV-ezRack ezShade II, Cap for Rail 168	96*169*17	PA6+GF20%+UV0.5%	8			
13	GU-SDP/1061	PV-ezRack ezShade Pergola, Gutter 1061mm	L1061	AL/6005-T5	12			
12	BA-SDII/280	PV-ezRack ezShade II, Corrugated T-Base 280	L280	AL/6005-T5	2			
11	BA-SDII/200	PV-ezRack ezShade II, Corrugated T-Base 200	L200	AL/6005-T5	2			
10	HJ-SDII/158/240	PV-ezRack ezShade II, H Joint 240	L240	AL/6005-T5	2			
9	HJ-SDII/158/130	PV-ezRack ezShade II, H Joint 130	L130	AL/6005-T5	2			
8-3	RT-100/90/2755	Rectangular Tube 100*90*2755	L2755	AL/6005-T5	2			
8-2	RT-100/90/2500	Rectangular Tube 100*90*2500	L2500	AL/6005-T5	2			
8-1	RT-100/90/2110	Rectangular Tube 100*90*2110	L2110	AL/6005-T5	2			
7	G-SDII/150/4500	PV-ezRack ezShade II, Girder 150*4500	L4500	AL/6005-T5	2			
6	SP-SDII/R/168-C	PV-ezRack ezShade II, Splice for Rail 168	L1000	AL/6005-T5	4			
5-2	R-SDII/168/1800	PV-ezRack ezShade II, Rail 168*1800	L1800	AL/6005-T5	4			
5-1	R-SDII/168/5300	PV-ezRack ezShade II, Rail 168*5300	L5300	AL/6005-T5	4			
4	R-SDP/70/5290	PV-ezRack ezShade Pergola, Rail 70*5290mm	L5290	AL/6005-T5	7			
3	ER-RC-T/T	PV-ezRack Rail Clamp for T-Rail with T bolt	L50	AL/6005-T5	56			
2	ER-RC-T/W	PV-ezRack Rail Clamp for T-Rail with W module	L50	AL/6005-T5	32			
1	MC-SDP	PV-ezRack ezShade Pergola,Module Clamp	L25	AL/6005-T5	72			
Item	BarCode/Part No.	Dwg No.	Part Name	Spec.	Material	Qty	Weight/kg	Remark

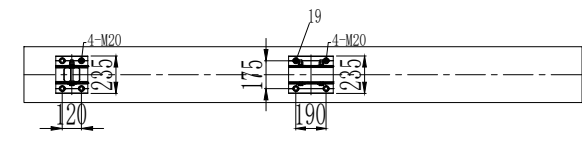
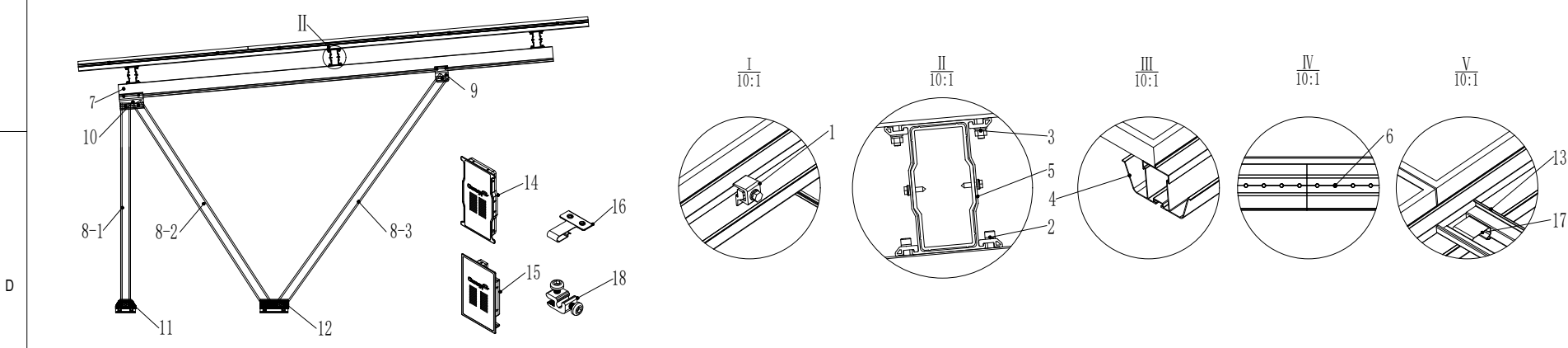
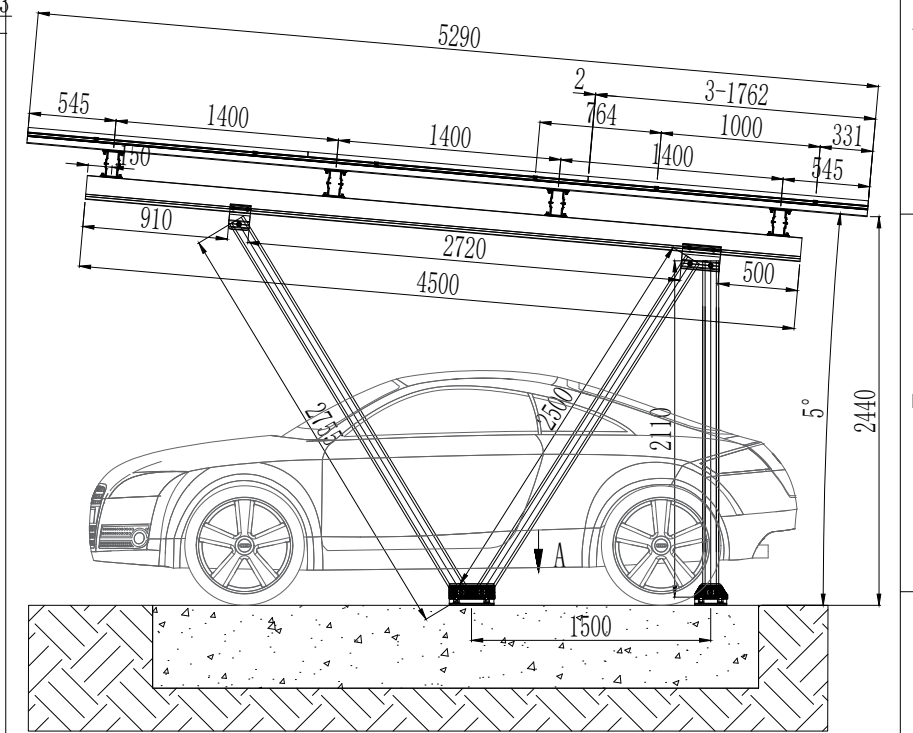
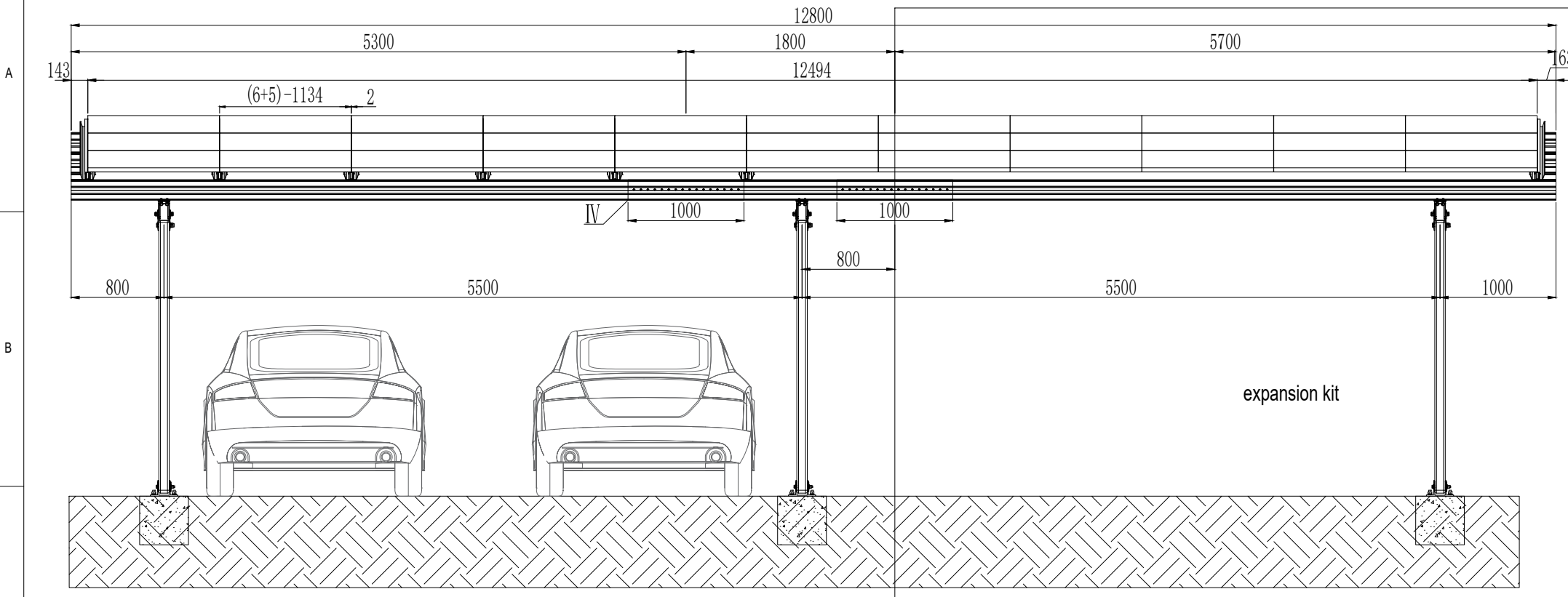
NOTES:

- 1.Install angle: 5°
- 2.Snow load: 1.25KN/m²
- 3.Wind load: 34m/s
- 4.Panel Type: 1762x1134x30
- 5.Module per unit: 3x6
- 6.Span: 5500mm

		Do Not Scale Drawings, Use Figured Dimensions Only		Version	V 1.0	A3
		Clenergy Technology Co.,Ltd.				
Item	Mark	Design Change No.	Design Change Contents	Sign	Date	
		Appv'D	Chk'D	STD	Proofread	Design
Sign						
Date						
		Title	Carport Ezshade II 3Px6		BarCode	
		Material	Weight	Dwg No.	DFG25EU57094-03DW01	
		Scale	Qty	Total pages: P	View	

1.This drawing is valid only with a corresponding edition stamp
2.Do Not Scale Drawings,Use Figured Dimensions Only

Part No.



A: Location planning of anchor-plate 1:1

NOTES:

- 1.Install angle: 5°
- 2.Snow load: 1.25KN/m²
- 3.Wind load: 34m/s
- 4.Panel Type: 1762x1134x30
- 5.Module per unit: 3x11
- 6.Span: 5500mm

19	HB-ST20/500	Hexagonal Bolt M20*500,with nut and washer	L300	GR8.8	24	16(+8)		
18	EZ-GL-U	PV-ezRack Rialto Grounding Lug	L17	AL/6005-T5	12	7(+5)		
17	SH-40/36/20.4/0.5	PV-ezRack ezShade II, Shim for PV Module 40*36*22*0.5	L40*36*22*0.5	SUS304 1/2H	44	24(+20)		
16	GC-LSR	PV-ezRack Grounding Clip for LS-Rail		SUS304 1/2H	66	36(+30)		
15	CAP-G/SDII/150	PV-ezRack ezShade II, Cap for Girder 150	96*151*17	PA6+GF20%+UV0.5%	6	4(+2)		
14	CAP-R/SDII/168	PV-ezRack ezShade II, Cap for Rail 168	96*169*17	PA6+GF20%+UV0.5%	8	8(+0)		
13	GU-SDP/1061	PV-ezRack ezShade Pergola, Gutter 1061mm	L1061	AL/6005-T5	22	12(+10)		
12	BA-SDII/280	PV-ezRack ezShade II, Corrugated T-Base 280	L280	AL/6005-T5	3	2(+1)		
11	BA-SDII/200	PV-ezRack ezShade II, Corrugated T-Base 200	L200	AL/6005-T5	3	2(+1)		
10	HJ-SDII/158/240	PV-ezRack ezShade II, H Joint 240	L240	AL/6005-T5	3	2(+1)		
9	HJ-SDII/158/130	PV-ezRack ezShade II, H Joint 130	L130	AL/6005-T5	3	2(+1)		
8-3	RT-100/90/2755	Rectangular Tube 100*90*2755	L2755	AL/6005-T5	3	2(+1)		
8-2	RT-100/90/2500	Rectangular Tube 100*90*2500	L2500	AL/6005-T5	3	2(+1)		
8-1	RT-100/90/2110	Rectangular Tube 100*90*2110	L2110	AL/6005-T5	3	2(+1)		
7	G-SDII/150/4500	PV-ezRack ezShade II, Girder 150*4500	L4500	AL/6005-T5	3	2(+1)		
6	SP-SDII/R/168-C	PV-ezRack ezShade II, Splice for Rail 168	L1000	AL/6005-T5	8	4(+4)		
5-3	R-SDII/168/5700	PV-ezRack ezShade II, Rail 168*5700	L5700	AL/6005-T5	4	0(+4)		
5-2	R-SDII/168/1800	PV-ezRack ezShade II, Rail 168*1800	L1800	AL/6005-T5	4	4(+0)		
5-1	R-SDII/168/5300	PV-ezRack ezShade II, Rail 168*5300	L5300	AL/6005-T5	4	4(+0)		
4	R-SDP/70/5290	PV-ezRack ezShade Pergola, Rail 70*5290mm	L5290	AL/6005-T5	12	7(+5)		
3	ER-RC-T/T	PV-ezRack Rail Clamp for T-Rail with T bolt	L50	AL/6005-T5	96	56(+40)		
2	ER-RC-T/W	PV-ezRack Rail Clamp for T-Rail with W module	L50	AL/6005-T5	48	32(+16)		
1	MC-SDP	PV-ezRack ezShade Pergola,Module Clamp	L25	AL/6005-T5	132	72(+60)		
Item	BarCode/Part No.	Dwg No.	Part Name	Spec.	Material	Qty	Weight/kg	Remark

Do Not Scale Drawings, Use Figured Dimensions Only							Version	V 1.0	A3	
CLENERGY Clenergy Technology Co.,Ltd.										
Item	Mark	Design Change No.	Design Change Contents		Sign	Date	Title			
		Appv'D	Chk'D	STD	Proofread	Design	Carport Ezshade II 3Px11(3Px6 expansion) BarCode			
Sign							Material	Weight	Dwg No.	DFG25EU57094-03DW02
Date							Scale	Qty	Total pages: P	View